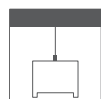
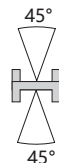


Wall Mounted



Suspended



LW-P24

ACCESSORIES :



Screwless aluminum Cap
(without hole)
Code: P24-Cap-N



Suspension Kits
Code: Sus.KitsA



(Optional)

Wall Clips
Code: WClip



(Optional)

Joiners 90°A
Code: J-90A



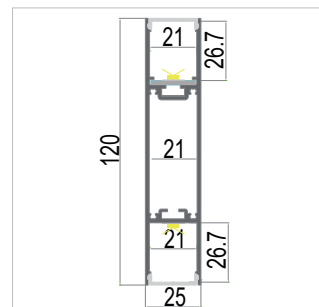
(Optional)

Joiners 180°A
Code: J-180A




(Optional)

Joiners 120°A
Code: J-120A



LW-P24

Optional Diffuser(PMMA)

P24					
Dimensions(mm)	Max strip width	Opal	/	/	/
25*120	21mm	√	/	/	/
Code		P24-O	/	/	/
Light Transmittance		55%	/	/	/

< 38.4W/m

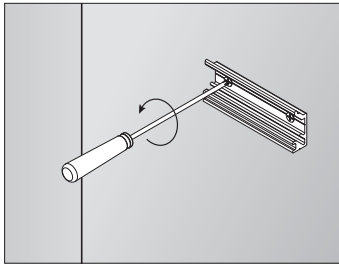
Aluminum Profile Weight:1.52kg/m

Stocked length availability:2m,2.5m.
Customized length below 4m upon your request.

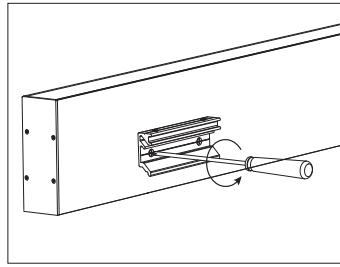


Installing Instructions

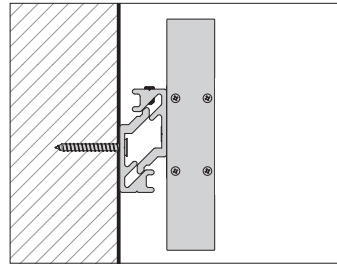
Wall Mounted



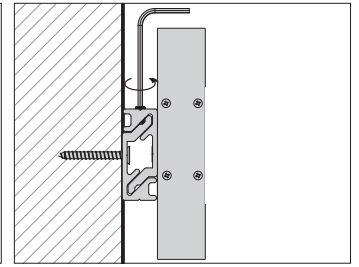
1. Attach the wall side clip to surface



2. Attach the other side of clip to light fixture

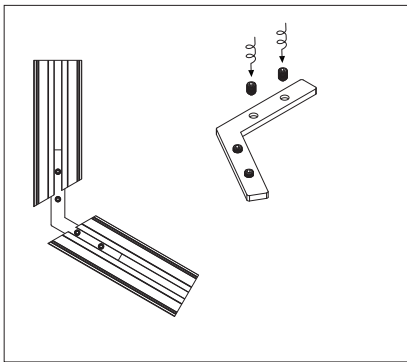


3. Mount the light fixture onto the wall attachment

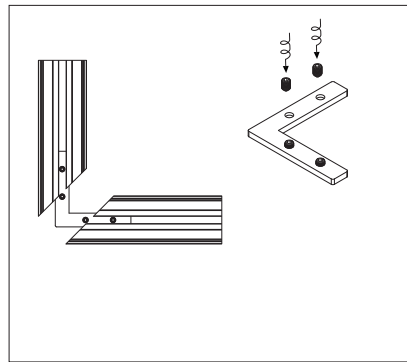


4. Secure the clips to ensure it stays in place

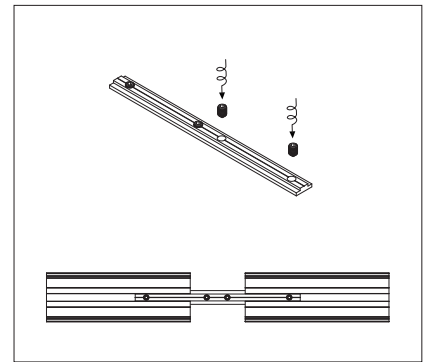
Applicable joiners



120°



90°A



180°A

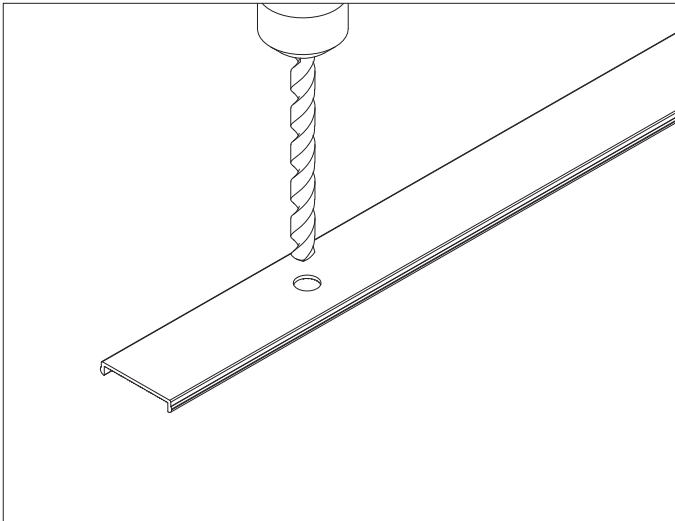
Other installation & Connection ways.



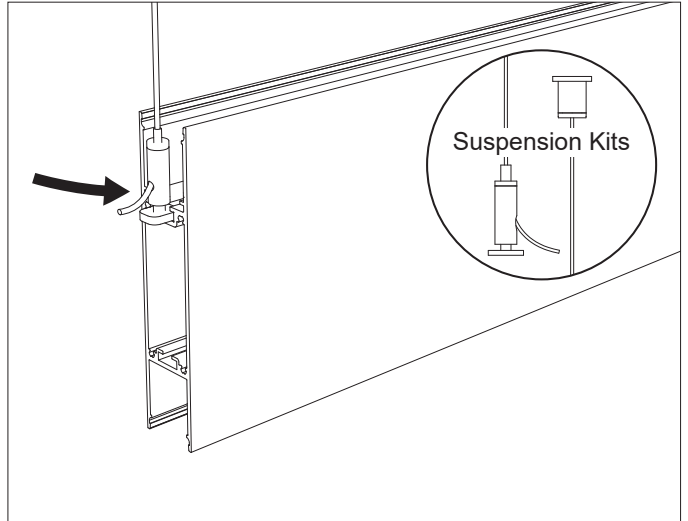


Installing Instructions

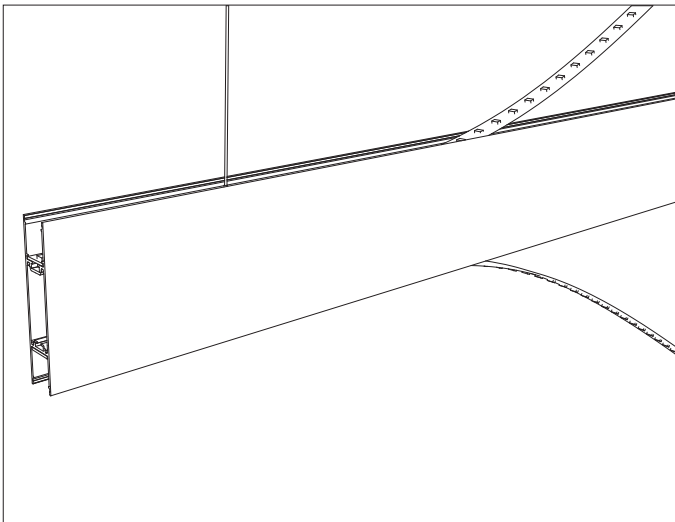
Suspended



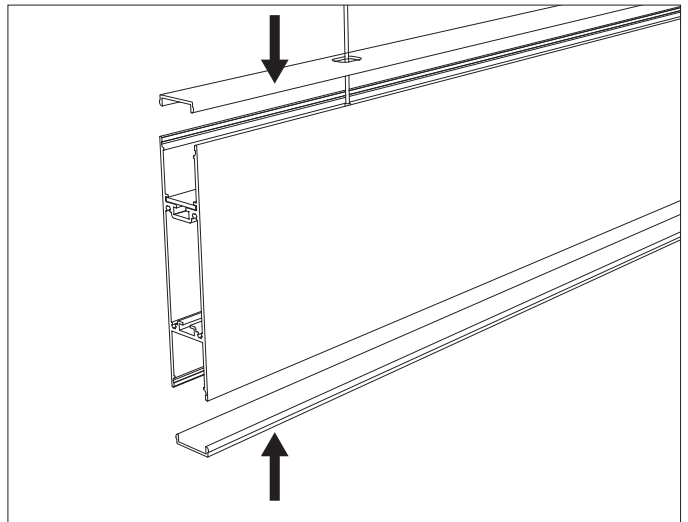
1. Drill a hole on one of the Diffuser



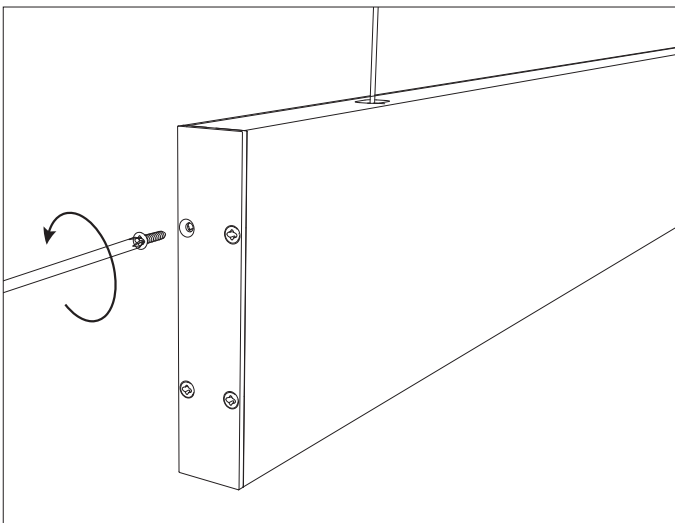
2. Install the Suspension Kits



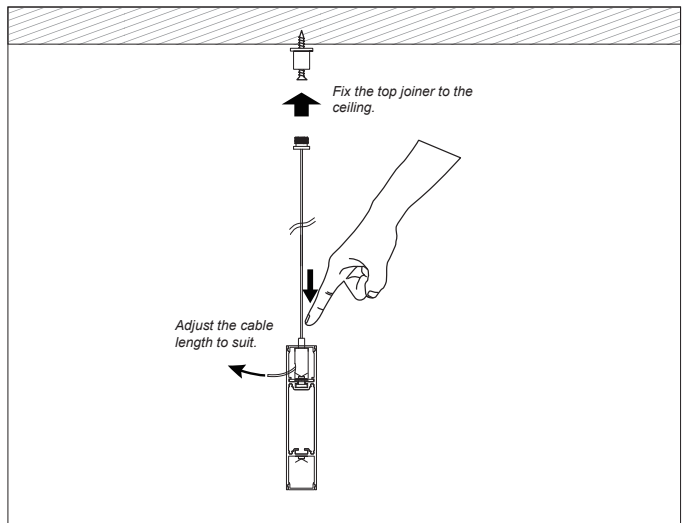
3. Stick the led strip



4. Click/snap on the diffuser from end to end



5. Screw on the end cover



6. Finally adjust the length of the pendant

